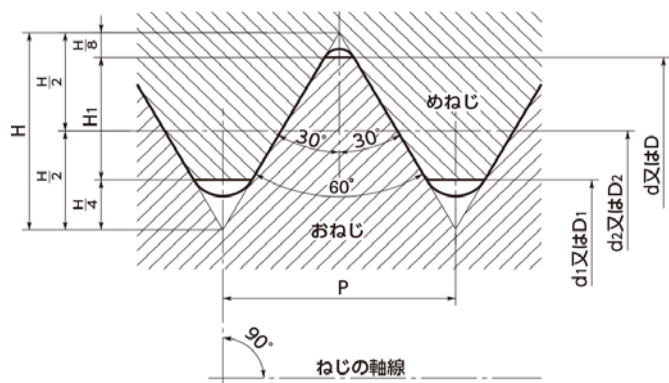


# メートル並目ねじの基準寸法

JIS B 0205(1999)より抜粋

メートル並目ねじの基準山形



$$\begin{aligned}
 H &= 0.866025P & D &= d \\
 H_1 &= 0.541266P & D_2 &= d_2 \\
 d_2 &= d - 0.649519p & D_1 &= d_1 \\
 d_1 &= d - 1.082532p
 \end{aligned}$$

単位: mm

| ねじの呼び* |      |     | ピッチ<br>P | ひっかかり<br>の高さ<br>H <sub>1</sub> | めねじ               |                   |                  |
|--------|------|-----|----------|--------------------------------|-------------------|-------------------|------------------|
| 1欄     | 2欄   | 3欄  |          |                                | 谷の径D              | 有効径D <sub>2</sub> | 内径D <sub>1</sub> |
|        |      |     | おねじ      |                                |                   |                   |                  |
|        |      |     | 外径d      | 有効径d <sub>2</sub>              | 谷の径d <sub>1</sub> |                   |                  |
| M1     |      |     | 0.25     | 0.135                          | 1.000             | 0.838             | 0.729            |
| M1.2   | M1.1 |     | 0.25     | 0.135                          | 1.100             | 0.938             | 0.829            |
|        |      |     | 0.25     | 0.135                          | 1.200             | 1.038             | 0.929            |
| M1.6   | M1.4 |     | 0.3      | 0.162                          | 1.400             | 1.205             | 1.075            |
|        |      |     | 0.35     | 0.189                          | 1.600             | 1.373             | 1.221            |
|        | M1.8 |     | 0.35     | 0.189                          | 1.800             | 1.573             | 1.421            |
| M2     |      |     | 0.4      | 0.217                          | 2.000             | 1.740             | 1.567            |
|        | M2.2 |     | 0.45     | 0.244                          | 2.200             | 1.908             | 1.713            |
| M2.5   |      |     | 0.45     | 0.244                          | 2.500             | 2.208             | 2.013            |
| M3     |      |     | 0.5      | 0.271                          | 3.000             | 2.675             | 2.459            |
|        |      |     | 0.6      | 0.325                          | 3.500             | 3.110             | 2.850            |
| M4     | M3.5 |     | 0.7      | 0.379                          | 4.000             | 3.545             | 3.242            |
|        |      |     | 0.75     | 0.406                          | 4.500             | 4.013             | 3.688            |
| M5     | M4.5 |     | 0.8      | 0.433                          | 5.000             | 4.480             | 4.134            |
| M6     |      |     | 1        | 0.541                          | 6.000             | 5.350             | 4.917            |
|        |      | M7  | 1        | 0.541                          | 7.000             | 6.350             | 5.917            |
| M8     |      |     | 1.25     | 0.677                          | 8.000             | 7.188             | 6.647            |
|        |      | M9  | 1.25     | 0.677                          | 9.000             | 8.188             | 7.647            |
| M10    |      |     | 1.5      | 0.812                          | 10.000            | 9.026             | 8.376            |
|        |      |     | 1.5      | 0.812                          | 11.000            | 10.026            | 9.376            |
| M12    |      | M11 | 1.75     | 0.947                          | 12.000            | 10.863            | 10.106           |
|        | M14  |     | 2        | 1.083                          | 14.000            | 12.701            | 11.835           |
| M16    |      |     | 2        | 1.083                          | 16.000            | 14.701            | 13.835           |
|        | M18  |     | 2.5      | 1.353                          | 18.000            | 16.376            | 15.294           |
| M20    |      |     | 2.5      | 1.353                          | 20.000            | 18.376            | 17.294           |
|        | M22  |     | 2.5      | 1.353                          | 22.000            | 20.376            | 19.294           |
| M24    |      |     | 3        | 1.624                          | 24.000            | 22.051            | 20.752           |
|        | M27  |     | 3        | 1.624                          | 27.000            | 25.051            | 23.752           |
| M30    |      |     | 3.5      | 1.894                          | 30.000            | 27.727            | 26.211           |
|        |      |     | 3.5      | 1.894                          | 33.000            | 30.727            | 29.211           |
| M36    | M39  |     | 4        | 2.165                          | 36.000            | 33.402            | 31.670           |
|        |      |     | 4        | 2.165                          | 39.000            | 36.402            | 34.670           |
| M42    |      |     | 4.5      | 2.436                          | 42.000            | 39.077            | 37.129           |
|        | M45  |     | 4.5      | 2.436                          | 45.000            | 42.077            | 40.129           |
| M48    |      |     | 5        | 2.706                          | 48.000            | 44.752            | 42.587           |
|        | M52  |     | 5        | 2.706                          | 52.000            | 48.752            | 46.587           |
| M56    |      |     | 5.5      | 2.977                          | 56.000            | 52.428            | 50.046           |
|        | M60  |     | 5.5      | 2.977                          | 60.000            | 56.428            | 54.046           |
| M64    |      |     | 6        | 3.248                          | 64.000            | 60.103            | 57.505           |
|        | M68  |     | 6        | 3.248                          | 68.000            | 64.103            | 61.505           |

\*1欄を優先的に、必要に応じて2欄、3欄の順に選ぶ。